

Technical Product Sheet

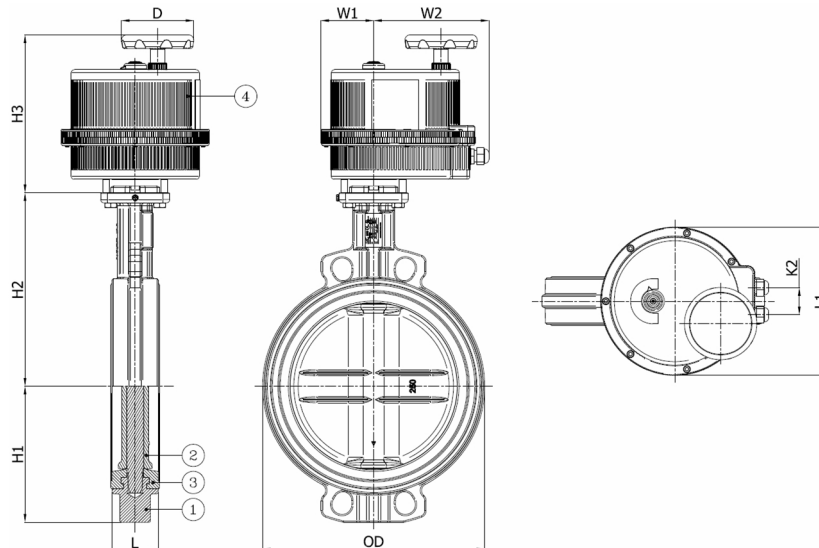
BV10NPA-2466V-PN10/PN16 - Electric 110/240V AC

Wafer type butterfly valve, mounting between flanges PN10/PN16, with electric actuator
Face to Face Standard: EN 558-1 Table 1 series 20

The actuator is selected for 20°C water with a pressure drop of 6 bar and minimum 1 cycle per week - 110/240V AC



Item Number	Belven Ref.
10HCD126VXVV0200	BV10NPA-2466V-PN10-DN200 - VB110 110/240VAC
10HCD126VXVV0250	BV10NPA-2466V-PN10-DN250 - VB270 110/240VAC
10HCD126VXVV0300	BV10NPA-2466V-PN10-DN300 - VB270 110/240VAC



DN/Size	L	H1	H2	H3	OD	L1	W2	W1	D	K2	Press.Cl.	Weight(kg)
DN200 (8")	60	165	240	237,1	259	211	153	84	110	40	PN10	18.60
DN250 (10")	68	201	286	233,5	320	222	170	77	110	40	PN10	27.20
DN300 (12")	78	234	309	233,5	370	222	170	77	110	40	PN10	38.50

Item 1	Item 2	Item 3	Item 4
Body Material	Seat Material	Disc Material	Actuator Material
Ductile iron : GGG40 + Epoxy coating	VITON	Stainless steel : CF8M	Self-extinguishing polymer