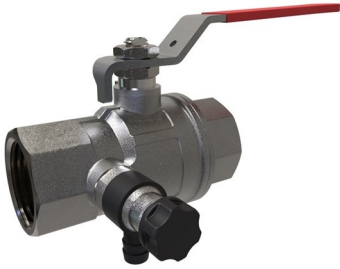


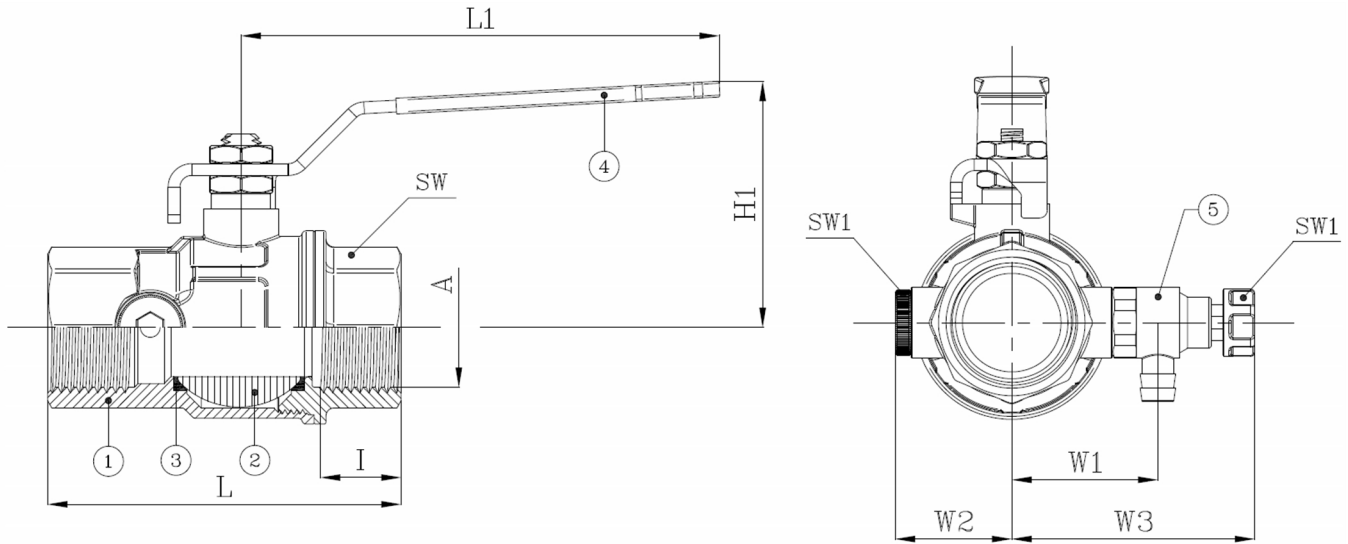
Technical Product Sheet

BV2-5210-BSP

Brass 2-way ball valve, full bore, threaded F/F ISO7/1-Rp, with drain cock, with lever
Face to Face Standard: Factory standard



Item Number	Belven Ref.
023111T0015	BV2-5210-BSP+DRAIN - 1/2" - LEVER
023111T0020	BV2-5210-BSP+DRAIN - 3/4" - LEVER
023111T0025	BV2-5210-BSP+DRAIN - 1" - LEVER
023111T0032	BV2-5210-BSP+DRAIN - 1 1/4" - LEVER
023111T0040	BV2-5210-BSP+DRAIN - 1 1/2" - LEVER
023111T0050	BV2-5210-BSP+DRAIN - 2" - LEVER



DN/Size	L	H1	A	I	L1	W1	W2	W3	SW	SW1	Press.Cl.	Weight(kg)
DN015 (1/2")	68	46	15	15	95	28,5	23,5	59	25	6	PN30	0.28
DN020 (3/4")	76	58	20	16,3	120	31,5	26,5	62	31	6	PN30	0.41
DN025 (1")	83,5	62	25	19,1	120	34,5	29,5	65	38	6	PN30	0.60
DN032 (1 1/4")	103	76	32	21,4	150	39	34	69,5	48	6	PN25	0.90
DN040 (1 1/2")	115	82	40	21,4	150	45	40	75,5	54	6	PN25	1.32
DN050 (2")	133	95	50	25,7	159	51	46	81,5	67	6	PN25	1.97

Item 1	Item 2	Item 3	Item 4
Body Material	Ball Material	Seat Material	Actuator Material
Brass : CW617N UNI EN 12165	Brass : CW617N UNI EN 12165	PTFE	Carbon steel

Belven N.V.

Blokhuisstraat 24 | 2800 Mechelen | Belgium
Tel. 015 29 40 70 | Fax. 015 20 14 13 | info@belven.com | www.belven.com

We keep the right to change the mentioned dimensions, weights, values and materials at any time without prior or direct notice.