

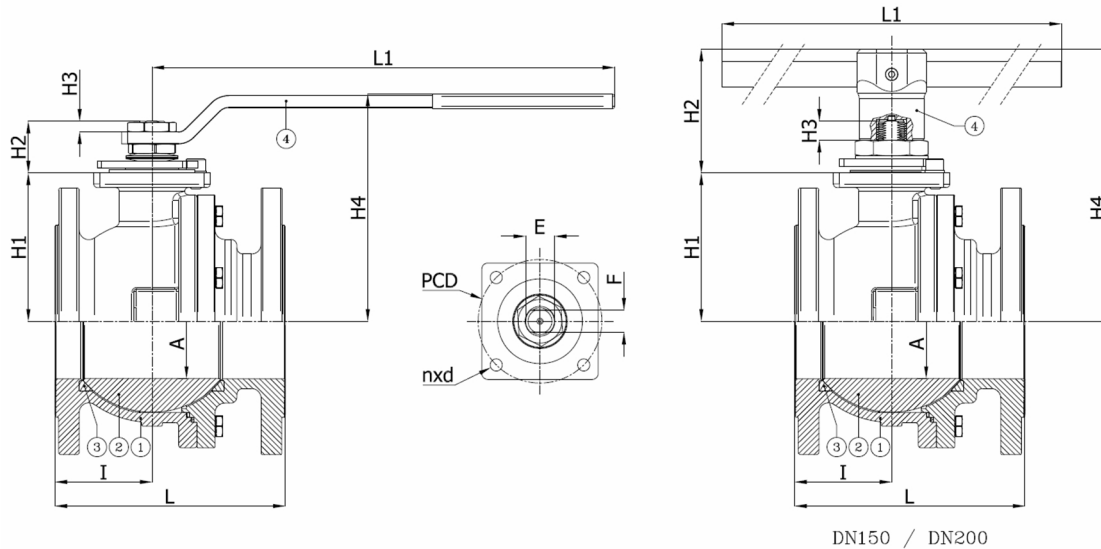
Technical Product Sheet

BV4-6666R-A300 - Lever

Ball valve, full bore, split body, flanged ANSI 300lbs, with lever
Face to Face Standard: ANSI B16.10



| Item Number | Belven Ref. |
|-------------|------------------------------|
| 048A77F1015 | BV4-6666R-A300-DN015 - LEVER |
| 048A77F1020 | BV4-6666R-A300-DN020 - LEVER |
| 048A77F1025 | BV4-6666R-A300-DN025 - LEVER |
| 048A77F1040 | BV4-6666R-A300-DN040 - LEVER |
| 048A77F1050 | BV4-6666R-A300-DN050 - LEVER |
| 048A77F1080 | BV4-6666R-A300-DN080 - LEVER |
| 048A77F1100 | BV4-6666R-A300-DN100 - LEVER |
| 048A77F1150 | BV4-6666R-A300-DN150 - LEVER |



| DN/Size | L | H1 | H2 | H3 | H4 | I | L1 | E | F | ISO | PCD | n x d | Press.Cl. | Weight(kg) |
|----------------|-----|------|------|------|-----|------|-----|-----|----|-----|-----|---------|-----------|------------|
| DN015 (1/2") | 140 | 33 | 19 | 88 | 88 | 61,5 | 131 | M10 | 7 | F04 | 42 | 4 x M5 | A300 | 2.50 |
| DN020 (3/4") | 152 | 37 | 19 | 93 | 93 | 61 | 131 | M10 | 7 | F04 | 42 | 4 x M5 | A300 | 3.70 |
| DN025 (1") | 165 | 45 | 27,5 | 89 | 89 | 70,5 | 174 | M12 | 8 | F05 | 50 | 4 x M6 | A300 | 5.50 |
| DN040 (1 1/2") | 190 | 77 | 30 | 133 | 133 | 78,5 | 250 | M16 | 10 | F05 | 50 | 4 x M6 | A300 | 10.50 |
| DN050 (2") | 216 | 83,5 | 38,5 | 144 | 144 | 86 | 321 | M20 | 14 | F07 | 70 | 4 x M8 | A300 | 12.20 |
| DN080 (3") | 283 | 108 | 43 | 18 | 173 | 81 | 381 | M24 | 18 | F10 | 102 | 4 x M10 | A300 | 26.10 |
| DN100 (4") | 305 | 122 | 43 | 18 | 187 | 88,5 | 381 | M24 | 18 | F10 | 102 | 4 x M10 | A300 | 39.10 |
| DN150 (6") | 403 | 177 | 68 | 27,5 | 305 | 172 | 700 | M42 | 30 | F12 | 125 | 4 x M12 | A300 | 94.50 |

| Item 1 | Item 2 | Item 3 | Item 4 |
|-----------------------------|---|---------------|-----------------------------|
| Body Material | Ball Material | Seat Material | Actuator Material |
| Stainless steel : A351-CF8M | Stainless steel : A182-F316 / A351-CF8M | RPTFE | Stainless steel : A182-F316 |

Belven N.V.

Blokhuisstraat 24 | 2800 Mechelen | Belgium
Tel. 015 29 40 70 | Fax. 015 20 14 13 | info@belven.com | www.belven.com

We keep the right to change the mentioned dimensions, weights, values and materials at any time without prior or direct notice.