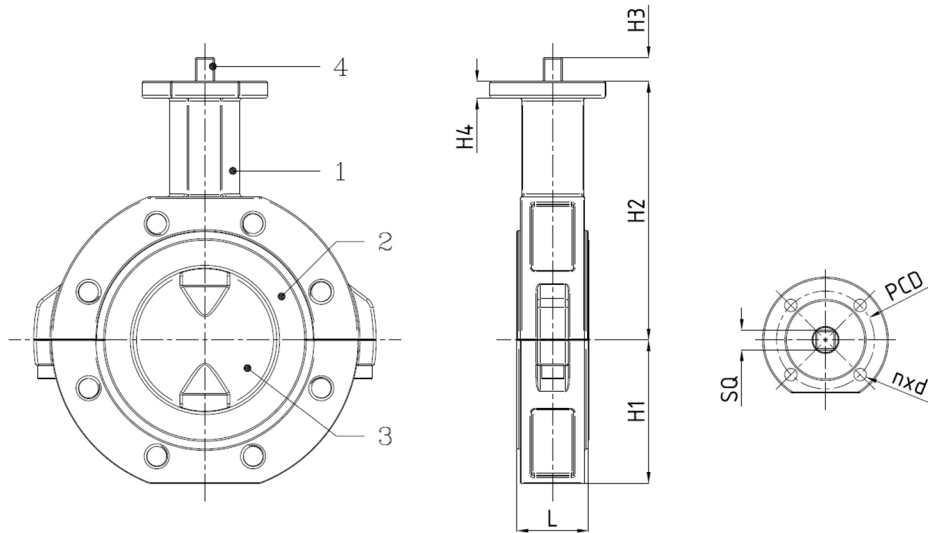


BV12-2966P-PN10 - Vrije As

Lug type vlinderklep, te monteren tussen flenzen PN10/PN16(DN50-150) of PN10(DN200-300), vrije as
Norm Bouw lengte: EN 558-1 Tabel 1 serie 20



Artikelnummer	Belven Ref.
123077P0050	BV12-2966P-PN10-DN050 - BARE SHAFT
123077P0065	BV12-2966P-PN10-DN065 - BARE SHAFT
123077P0080	BV12-2966P-PN10-DN080 - BARE SHAFT
123077P0100	BV12-2966P-PN10-DN100 - BARE SHAFT
123077P0125	BV12-2966P-PN10-DN125 - BARE SHAFT
123077P0150	BV12-2966P-PN10-DN150 - BARE SHAFT
123077P0200	BV12-2966P-PN10-DN200 - BARE SHAFT
123077P0250	BV12-2966P-PN10-DN250 - BARE SHAFT
123077P0300	BV12-2966P-PN10-DN300 - BARE SHAFT



DN/Inch	L	H1	H2	H3	H4	SQ	ISO	PCD	n x d1	Drukl.	Gewicht(kg)
DN050 (2")	43	58	130	17	12	11	F07	70	4 x d9	PN10	5,90
DN065 (2 1/2")	46	65	146	17	12	11	F07	70	4 x d9	PN10	7,80
DN080 (3")	46	88	165	17	12	11	F07	70	4 x d9	PN10	9,40
DN100 (4")	52	102	185	17	12	14	F07	70	4 x d9	PN10	11,70
DN125 (5")	56	116	202	17	12	14	F07	70	4 x d9	PN10	15,70
DN150 (6")	56	127	217	22	12	17	F07	70	4 x d9	PN10	16,50
DN200 (8")	60	160	245	26	16	19	F10	102	4 x d12	PN10	26,50
DN250 (10")	68	193	270	30	16	22	F10	102	4 x d12	PN10	35,20
DN300 (12")	78	227	308	30	16	22	F10	102	4 x d12	PN10	58,90

Item 1	Item 2	Item 3	Item 4
Materiaal Huis	Materiaal Zitting	Materiaal Klepblad	Materiaal Bediening
Nodulair gietijzer : GGG40 + Epoxy coating	PTFE	Stainless steel : 1.4469 (>200 1.4404)	RVS Spindel 1.4469 (>200 1.4462)