

Technical Product Sheet

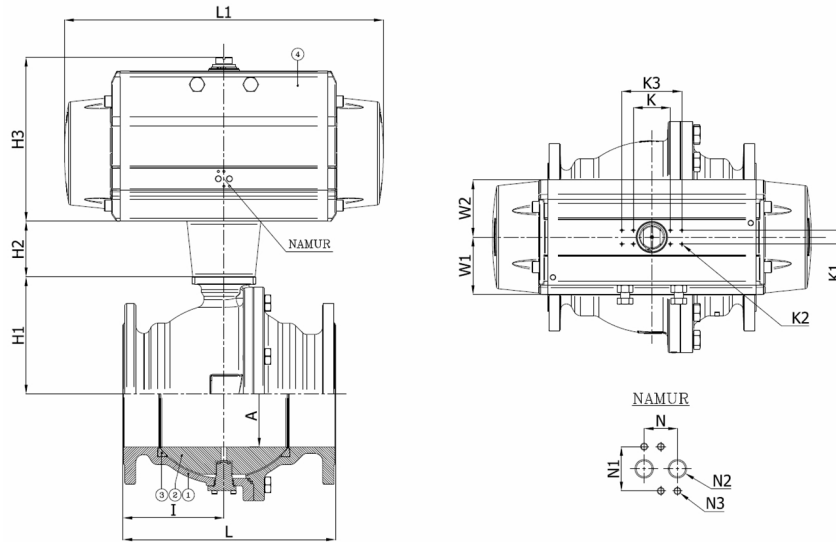
BV4-4766T-A150-TR - Double Acting

Ball valve, full bore, trunnion mounted, split body, flanged ANSI 150lbs, with double acting actuator
Face to Face Standard: ANSI B16.10

The actuator is selected for 25°C water with a pressure drop of 16 bar with 6 bar supply air pressure and minimum 1 cycle per week



Item Number	Belven Ref.
047A07DA1250TR	BV4-4766T-A150-TR-DN250 - DA230
047A07DA1300TR	BV4-4766T-A150-TR-DN300 - DA230



DN/Size	L	H1	H2	H3	I	L1	W1	W2	K	K3	K1	K2	N	N1	N2	N3	Press.Cl.	Weight(kg)
DN250 (10")	533	272	120	355	301,8	690	124,5	124	80	130	30	M5	24	32	1/4"	M5	A150	371.00
DN300 (12")	610	303	120	355	353,8	690	124,5	124	80	130	30	M5	24	32	1/4"	M5	A150	430.00

Item 1	Item 2	Item 3	Item 4
Body Material	Ball Material	Seat Material	Actuator Material
Low-temperature steel : A352 LCB	Stainless steel : A182-F304 / A351-CF8	PTFE	Extruded aluminium