

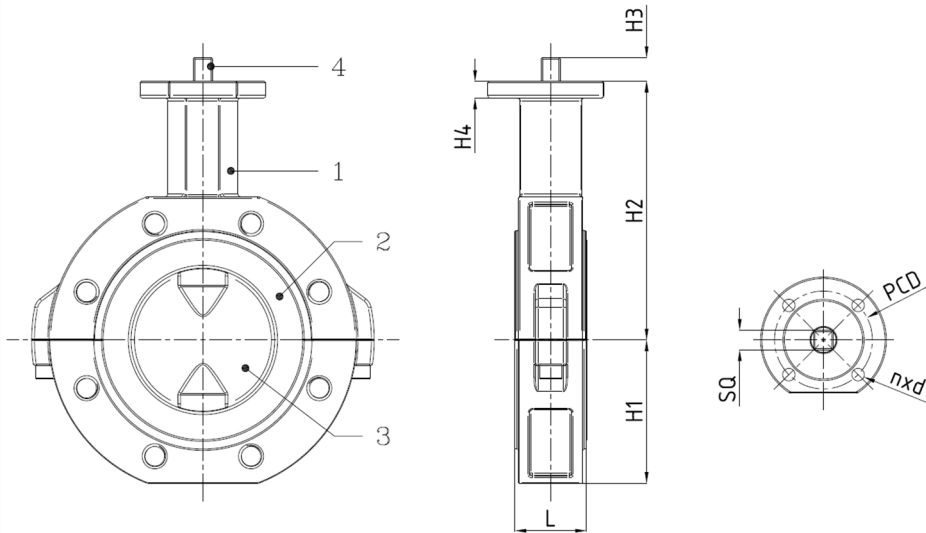
# Technical Product Sheet

## BV12-2977P-PN10 - Bare Shaft

Lug type butterfly valve, mounting between flanges PN10/PN16(DN50-150) or PN10(DN200-300), bare shaft  
Face to Face Standard: EN 558-1 Table 1 series 20



Item Number	Belven Ref.
123088P0050	BV12-2977P-PN10-DN050 - BARE SHAFT
123088P0065	BV12-2977P-PN10-DN065 - BARE SHAFT
123088P0080	BV12-2977P-PN10-DN080 - BARE SHAFT
123088P0100	BV12-2977P-PN10-DN100 - BARE SHAFT
123088P0125	BV12-2977P-PN10-DN125 - BARE SHAFT
123088P0150	BV12-2977P-PN10-DN150 - BARE SHAFT
123088P0200	BV12-2977P-PN10-DN200 - BARE SHAFT
123088P0250	BV12-2977P-PN10-DN250 - BARE SHAFT
123088P0300	BV12-2977P-PN10-DN300 - BARE SHAFT



DN/Size	L	H1	H2	H3	H4	SQ	ISO	PCD	n x d1	Press.Cl.	Weight(kg)
DN050 (2")	43	58	130	17	12	11	F07	70	4 x d9	PN10	5.90
DN065 (2 1/2")	46	65	146	17	12	11	F07	70	4 x d9	PN10	7.80
DN080 (3")	46	88	165	17	12	11	F07	70	4 x d9	PN10	9.40
DN100 (4")	52	102	185	17	12	14	F07	70	4 x d9	PN10	11.70
DN125 (5")	56	116	202	17	12	14	F07	70	4 x d9	PN10	15.70
DN150 (6")	56	127	217	22	12	17	F07	70	4 x d9	PN10	16.50
DN200 (8")	60	160	245	26	16	19	F10	102	4 x d12	PN10	26.50
DN250 (10")	68	193	270	30	16	22	F10	102	4 x d12	PN10	35.20
DN300 (12")	78	227	308	30	16	22	F10	102	4 x d12	PN10	58.90

Item 1	Item 2	Item 3	Item 4
<b>Body Material</b>	<b>Seat Material</b>	<b>Disc Material</b>	<b>Actuator Material</b>
Ductile iron : GGG40 + Epoxy coating	PTFE	PFA lining on SS core (>200 CS core)	SS Stem 1.4469 (>200 1.4462)

Belven N.V.

Blokhuisstraat 24 | 2800 Mechelen | Belgium  
Tel. 015 29 40 70 | Fax. 015 20 14 13 | info@belven.com | www.belven.com

We keep the right to change the mentioned dimensions, weights, values and materials at any time without prior or direct notice.