

# Technical Product Sheet

## BV12SA-GAS-2466NG-PN10 - Gearbox DVGW

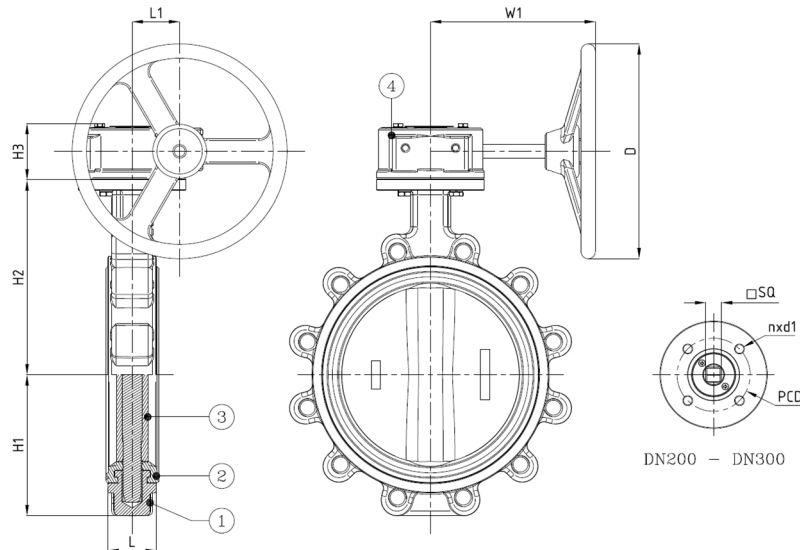
### approved

Lug type butterfly valve, ATEX, mounting between flanges PN10, with gearbox, DVGW Gas approved acc. to EN 13774:2013  
Face to Face Standard: EN 558-1 Table 1 series 20

With NBR-GAS seat acc. to EN 682



Item Number	Belven Ref.
12SAG2047NG30200	BV12SA-GAS-2466NG-PN10-DN200 - GEARBOX
12SAG2047NG30250	BV12SA-GAS-2466NG-PN10-DN250 - GEARBOX
12SAG2047NG30300	BV12SA-GAS-2466NG-PN10-DN300 - GEARBOX



DN/Size	L	H1	H2	H3	H4	L1	SQ	ISO	PCD	n x d1	D	W1	Press.Cl.	Weight(kg)
DN200 (8")	60	165	243,5	80,5	45	63	17	F10	102	4 x d12	300	237	PN10	26.20
DN250 (10")	68	202	273	80,5	45	63	22	F10	102	4 x d12	300	237	PN10	38.00
DN300 (12")	78	235	311	80,5	45	78	27	F12	125	4 x d14	300	225	PN10	55.70

Item 1	Item 2	Item 3	Item 4
Body Material	Seat Material	Disc Material	Actuator Material
Ductile iron : GGG40 + Epoxy coating	NBR-GAS	Stainless steel : CF8M	Cast iron

Belven N.V.

Blokhuisstraat 24 | 2800 Mechelen | Belgium  
Tel. 015 29 40 70 | Fax. 015 20 14 13 | info@belven.com | www.belven.com

We keep the right to change the mentioned dimensions, weights, values and materials at any time without prior or direct notice.