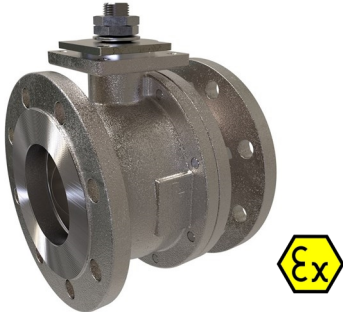


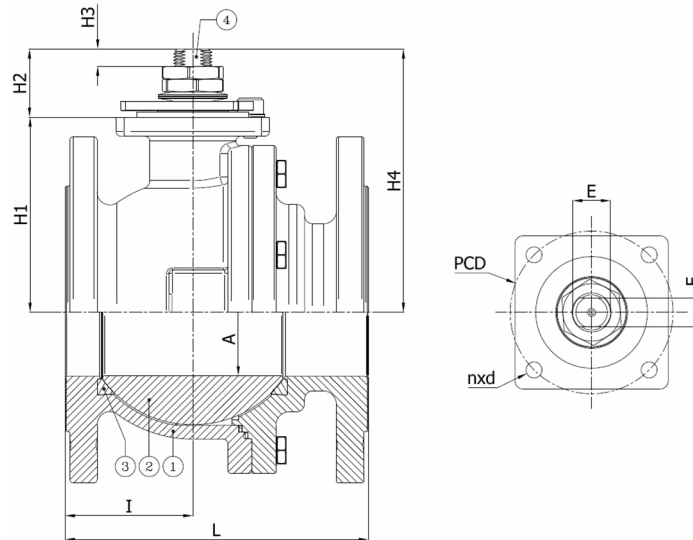
Technical Product Sheet

BV4-4466T-A150 - Bare Shaft

Ball valve, full bore, split body, flanged ANSI 150lbs, bare shaft
Face to Face Standard: ANSI B16.10



Item Number	Belven Ref.
047A57F0015	BV4-4466T-A150-DN015 - BARE SHAFT
047A57F0020	BV4-4466T-A150-DN020 - BARE SHAFT
047A57F0025	BV4-4466T-A150-DN025 - BARE SHAFT
047A57F0040	BV4-4466T-A150-DN040 - BARE SHAFT
047A57F0050	BV4-4466T-A150-DN050 - BARE SHAFT
047A57F0080	BV4-4466T-A150-DN080 - BARE SHAFT
047A57F0100	BV4-4466T-A150-DN100 - BARE SHAFT
047A57F0150	BV4-4466T-A150-DN150 - BARE SHAFT
047A57F0200	BV4-4466T-A150-DN200 - BARE SHAFT



DN/Size	L	H1	H2	H3	H4	I	ISO	PCD	n x d	E	F	Press.Cl.	Weight(kg)
DN015 (1/2")	108	33	19	8	52	46,5	F04	42	4 x M5	M10	7	A150	1.80
DN020 (3/4")	117	37	19	8	56	53	F04	42	4 x M5	M10	7	A150	2.30
DN025 (1")	127	45	27,5	13	72,5	59,5	F05	50	4 x M6	M12	8	A150	3.50
DN040 (1 1/2")	165	77	30	10	107	77	F05	50	4 x M6	M16	10	A150	6.60
DN050 (2")	178	83,5	38,5	18	122	86	F07	70	4 x M8	M20	14	A150	10.00
DN080 (3")	203	108	43	18	151	79,5	F10	102	4 x M10	M24	18	A150	19.50
DN100 (4")	229	122	43	18	165	110	F10	102	4 x M10	M24	18	A150	28.00
DN150 (6")	394	177	68	27,5	245	181	F12	125	4 x M12	M42	30	A150	75.00
DN200 (8")	457	220	68	27,5	288	212	F12	125	4 x M12	M42	30	A150	150.00

Item 1	Item 2	Item 3	Item 4
Body Material	Ball Material	Seat Material	Actuator Material
Carbon steel : A216 WCB	Stainless steel : A182-F304 / A351-CF8	PTFE	SS Stem A182-F304

Belven N.V.

Blokhuisstraat 24 | 2800 Mechelen | Belgium
Tel. 015 29 40 70 | Fax. 015 20 14 13 | info@belven.com | www.belven.com

We keep the right to change the mentioned dimensions, weights, values and materials at any time without prior or direct notice.