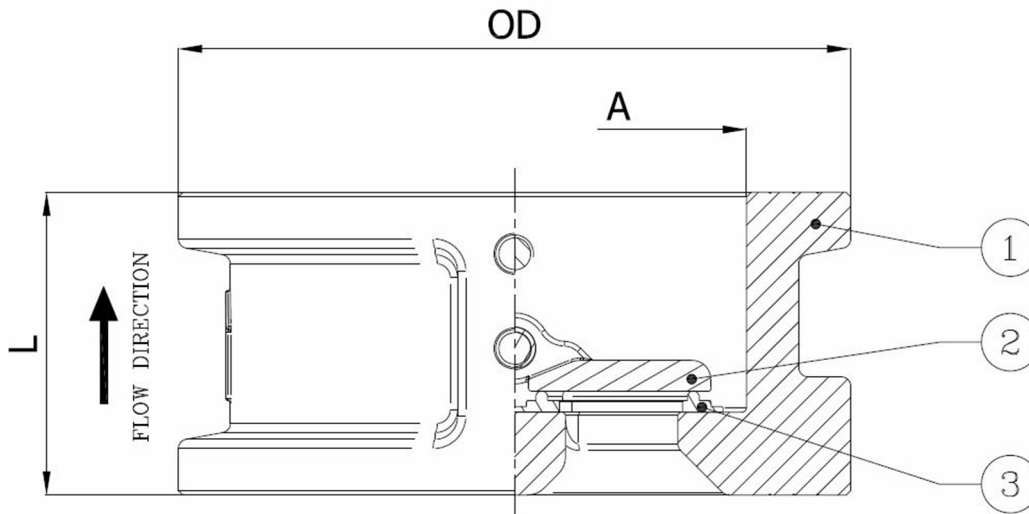


BV40-2413B-PN10/16

Terugslagklep type duocheck, te monteren tussen flenzen PN10/16
Norm Bouwlenge: EN 558-1 reeks 16



Artikelnummer	Belven Ref.
402042B0050	BV40-2413B-PN16-DN050
402042B0065	BV40-2413B-PN16-DN065
402042B0080	BV40-2413B-PN16-DN080
402042B0100	BV40-2413B-PN16-DN100
402042B0125	BV40-2413B-PN16-DN125
402042B0150	BV40-2413B-PN16-DN150
402042B0200	BV40-2413B-PN16-DN200
402042B0250	BV40-2413B-PN16-DN250



DN/Inch	L	OD	A	Drukkl.	Gewicht(kg)
DN050 (2")	43	107	70,5	PN16	1,70
DN065 (2 1/2")	46	127	80	PN16	2,40
DN080 (3")	64	142	94	PN16	3,30
DN100 (4")	64	162	117	PN16	4,80
DN125 (5")	70	192	145	PN16	6,50
DN150 (6")	76	218	170	PN16	9,40
DN200 (8")	89	273	221	PN16	15,50
DN250 (10")	114	328	275,5	PN16	26,00

Item 1	Item 2	Item 3
Materiaal Huis	Materiaal Klepblad	Materiaal Zitting
Nodulair gietijzer : GGG40 + Epoxy coating	Alubrons C954	NBR