

# Technical Product Sheet



## BV10-2366B-PN10/PN16/A150 - Double Acting

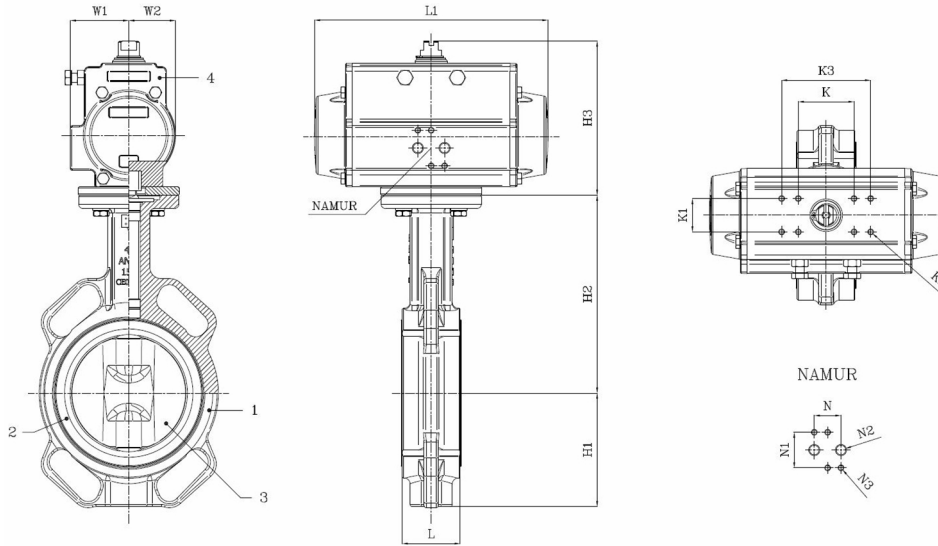
Wafer type butterfly valve, mounting between flanges PN10/PN16/A150, with double acting actuator

Face to Face Standard: EN 558-1 Table 1 series 20

The actuator is selected for 20°C water with a pressure drop of 6 bar with 6 bar supply air pressure and minimum 1 cycle per week



Item Number	Belven Ref.
101026BDA20050	BV10-2366B-PN16-DN050 - DA052
101026BDA20065	BV10-2366B-PN16-DN065 - DA052
101026BDA20080	BV10-2366B-PN16-DN080 - DA063
101026BDA20100	BV10-2366B-PN16-DN100 - DA075
101026BDA20125	BV10-2366B-PN16-DN125 - DA075
101026BDA20150	BV10-2366B-PN16-DN150 - DA100
101026BDA20200	BV10-2366B-PN16-DN200 - DA115
101026BDA20250	BV10-2366B-PN16-DN250 - DA125
101026BDA20300	BV10-2366B-PN16-DN300 - DA140



DN/Size	L	H1	H2	H3	L1	W1	W2	K	K3	K1	K2	N	N1	N2	N3	Press.Cl.	Weight(kg)
DN050 (2")	43	71,4	142,7	113,5	141	41	30	80		30	M5	24	32	1/8"	M5	PN16	3.90
DN065 (2 1/2")	46	77,8	155,4	113,5	141	41	30	80		30	M5	24	32	1/8"	M5	PN16	4.60
DN080 (3")	46	89	161,8	125	164	45	35,5	80		30	M5	24	32	1/8"	M5	PN16	5.50
DN100 (4")	52	102	178	137	210	52,5	42	80		30	M5	24	32	1/8"	M5	PN16	8.20
DN125 (5")	56	123	190,5	137	210	52,5	42	80		30	M5	24	32	1/8"	M5	PN16	10.10
DN150 (6")	56	138	205,2	164,8	275	68	55	80		30	M5	24	32	1/4"	M5	PN16	13.60
DN200 (8")	60	168	237	205,9	333	73	64	80	130	30	M5	24	32	1/4"	M5	PN16	22.70
DN250 (10")	68	207	268,3	209,4	372	80	68	80	130	30	M5	24	32	1/4"	M5	PN16	30.30
DN300 (12")	78	243,5	308,5	232	435	87,5	76,5	80	130	30	M5	24	32	1/4"	M5	PN16	45.10

Item 1	Item 2	Item 3	Item 4
Body Material	Seat Material	Disc Material	Actuator Material
Cast iron : GG25 + Epoxy coating	NBR	Stainless steel : CF8M	Extruded aluminium

Belven N.V.

Blokhuisstraat 24 | 2800 Mechelen | Belgium

Tel. 015 29 40 70 | Fax. 015 20 14 13 | [info@belven.com](mailto:info@belven.com) | [www.belven.com](http://www.belven.com)

We keep the right to change the mentioned dimensions, weights, values and materials at any time without prior or direct notice.