

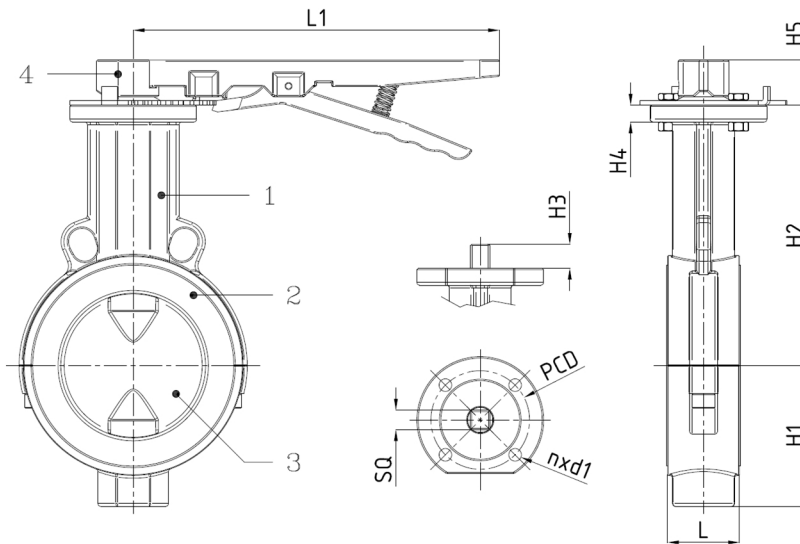
# Technical Product Sheet

## BV10-2966P-PN10 - Lever

Wafer type butterfly valve, mounting between flanges PN10/PN16(DN50-150) or PN10(DN200-300), with lever  
Face to Face Standard: EN 558-1 Table 1 series 20



Item Number	Belven Ref.
103077P1050	BV10-2966P-PN10-DN050 - LEVER
103077P1065	BV10-2966P-PN10-DN065 - LEVER
103077P1080	BV10-2966P-PN10-DN080 - LEVER
103077P1100	BV10-2966P-PN10-DN100 - LEVER
103077P1125	BV10-2966P-PN10-DN125 - LEVER
103077P1150	BV10-2966P-PN10-DN150 - LEVER
103077P1200	BV10-2966P-PN10-DN200 - LEVER
103077P1250	BV10-2966P-PN10-DN250 - LEVER
103077P1300	BV10-2966P-PN10-DN300 - LEVER



DN/Size	L	H1	H2	H3	H4	L1	SQ	H5	ISO	PCD	n x d1	Press.Cl.	Weight(kg)
DN050 (2")	43	56	130	17	12	230	11	46	F07	70	4 x d9	PN10	3.90
DN065 (2 1/2")	46	67	146	17	12	230	11	46	F07	70	4 x d9	PN10	5.00
DN080 (3")	46	84	165	17	12	230	11	46	F07	70	4 x d9	PN10	6.40
DN100 (4")	52	100	185	17	12	270	14	55	F07	70	4 x d9	PN10	7.70
DN125 (5")	56	110	202	17	12	270	14	55	F07	70	4 x d9	PN10	9.10
DN150 (6")	56	125	217	22	12	325	17	55	F07	70	4 x d9	PN10	11.40
DN200 (8")	60	158	245	26	16	349	19	55	F10	102	4 x d12	PN10	18.40
DN250 (10")	68	190	270	30	16	349	22	55	F10	102	4 x d12	PN10	26.40
DN300 (12")	78	225	308	30	16	349	22	55	F10	102	4 x d12	PN10	38.90

Item 1	Item 2	Item 3	Item 4
<b>Body Material</b>	<b>Seat Material</b>	<b>Disc Material</b>	<b>Actuator Material</b>
Ductile iron : GGG40 + Epoxy coating	PTFE	Stainless steel : 1.4469 (>200 1.4404)	Stainless steel : 1.4308

Belven N.V.

Blokhuisstraat 24 | 2800 Mechelen | Belgium  
Tel. 015 29 40 70 | Fax. 015 20 14 13 | info@belven.com | www.belven.com

We keep the right to change the mentioned dimensions, weights, values and materials at any time without prior or direct notice.