

Technical Product Sheet

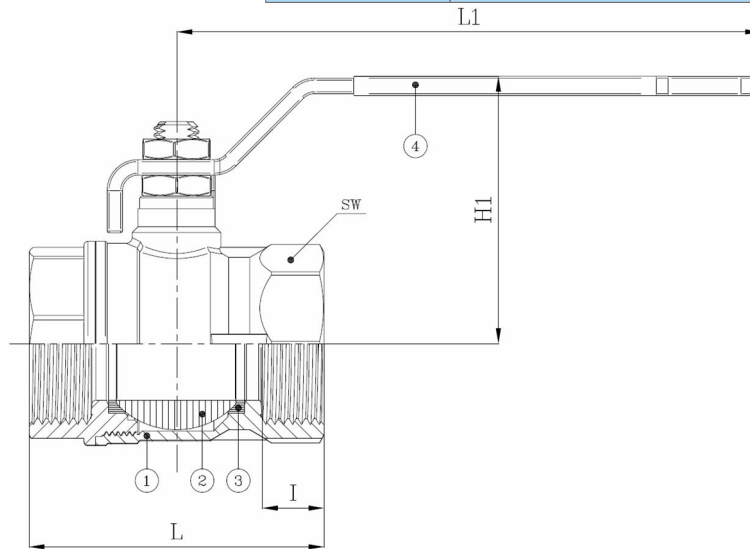
BV2-5700-BSP (F/F)

Brass 2-way ball valve, full bore, threaded F/F ISO7/1-Rp, with lever

Face to Face Standard: Factory standard



Item Number	Belven Ref.
024116T1010	BV2-5700-BSP(F/F) - 3/8" - LEVER
024116T1015	BV2-5700-BSP(F/F) - 1/2" - LEVER
024116T1020	BV2-5700-BSP(F/F) - 3/4" - LEVER
024116T1025	BV2-5700-BSP(F/F) - 1" - LEVER
024116T1032	BV2-5700-BSP(F/F) - 1 1/4" - LEVER
024116T1040	BV2-5700-BSP(F/F) - 1 1/2" - LEVER
024116T1050	BV2-5700-BSP(F/F) - 2" - LEVER
024116T1065	BV2-5700-BSP(F/F) - 2 1/2" - LEVER
024116T1080	BV2-5700-BSP(F/F) - 3" - LEVER
024116T1100	BV2-5700-BSP(F/F) - 4" - LEVER



DN/Size	L	H1	I	L1	SW	Press.Cl.	Weight(kg)
DN010 (3/8")	51,5	42	11,4	96	20	PN64	0.14
DN015 (1/2")	62	47	15	96	25	PN30	0.22
DN020 (3/4")	69	58	16,3	121	31	PN30	0.36
DN025 (1")	83	62	19,1	121	38	PN30	0.55
DN032 (1 1/4")	96	76	21,4	151	48	PN25	0.99
DN040 (1 1/2")	108	82	21,4	151	54	PN25	1.49
DN050 (2")	126	95	25,7	160	67	PN25	1.97
DN065 (2 1/2")	152	123	30,2	206	90	PN25	3.71
DN080 (3")	177	133	33,3	206	105	PN25	5.90
DN100 (4")	214	165	39,3	261	130	PN25	10.00

Item 1	Item 2	Item 3	Item 4
Body Material	Ball Material	Seat Material	Actuator Material
Brass : CW617N UNI EN 12420	Stainless steel : A182-F316	PTFE	Carbon steel

Belven N.V.

Blokhuisstraat 24 | 2800 Mechelen | Belgium

Tel. 015 29 40 70 | Fax. 015 20 14 13 | info@belven.com | www.belven.com

We keep the right to change the mentioned dimensions, weights, values and materials at any time without prior or direct notice.