

Technical Product Sheet

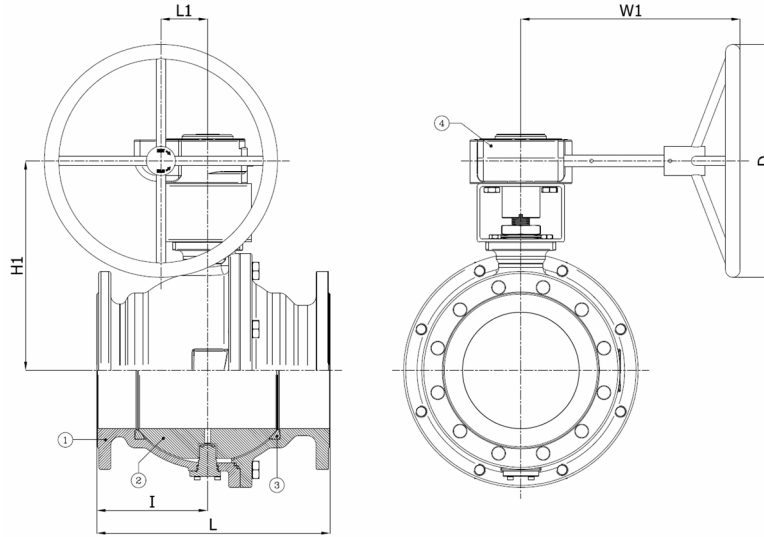
BV4-6666T-PN16-TR - Gearbox

Ball valve, full bore, trunnion mounted, split body, flanged PN16, with Rotork gearbox

Face to Face Standard: EN 558-1 series 27



Item Number	Belven Ref.
043D77F5250TR	BV4-6666T-PN16-TR-DN250 - GEARBOX
043D77F5300TR	BV4-6666T-PN16-TR-DN300 - GEARBOX



DN/Size	L	H1	I	L1	W1	D	Press.Cl.	Weight(kg)
DN250 (10")	450	434	225	86	305	700	PN16	0.00
DN300 (12")	500	471	250	104,5	346	700	PN16	0.00

Item 1	Item 2	Item 3	Item 4
Body Material	Ball Material	Seat Material	Actuator Material
Stainless steel : 1.4408 (CF8M)	Stainless steel : A182-F316 / A351-CF8M	PTFE	Cast Iron

Belven N.V.

Blokhuisstraat 24 | 2800 Mechelen | Belgium
 Tel. 015 29 40 70 | Fax. 015 20 14 13 | info@belven.com | www.belven.com

We keep the right to change the mentioned dimensions, weights, values and materials at any time without prior or direct notice.