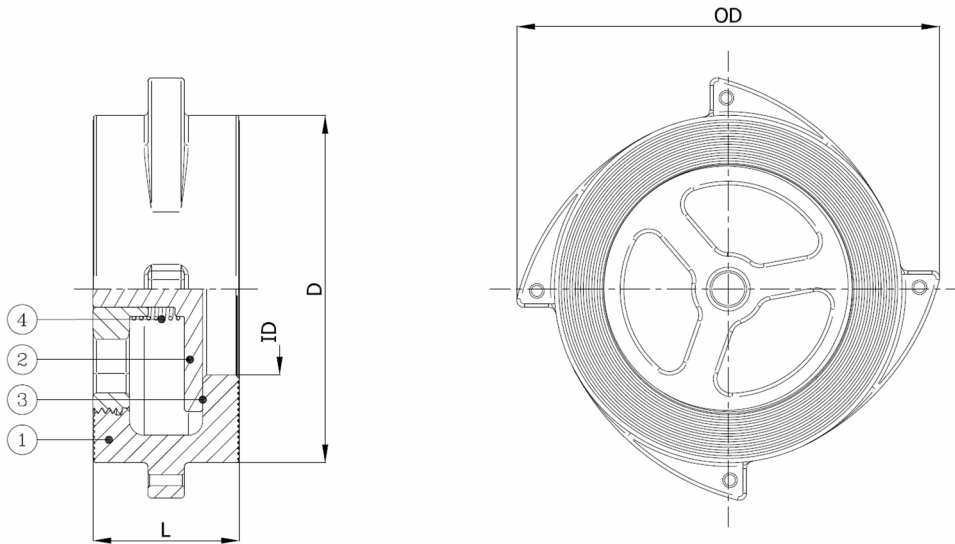


## BV36-6666M-A150

Tussenbouw terugslagklep type "disc check", te monteren tussen flenzen PN10/PN16/PN25/PN40/A150  
Norm Bouwlengte: EN 558-1 reeks 49



| Artikelnummer | Belven Ref.           |
|---------------|-----------------------|
| 367077M0015   | BV36-6666M-A150-DN015 |
| 367077M0020   | BV36-6666M-A150-DN020 |
| 367077M0025   | BV36-6666M-A150-DN025 |
| 367077M0032   | BV36-6666M-A150-DN032 |
| 367077M0040   | BV36-6666M-A150-DN040 |
| 367077M0050   | BV36-6666M-A150-DN050 |
| 367077M0065   | BV36-6666M-A150-DN065 |
| 367077M0080   | BV36-6666M-A150-DN080 |
| 367077M0100   | BV36-6666M-A150-DN100 |



| DN/Inch        | L    | ID   | OD  | D   | Drukl. | Gewicht(kg) |
|----------------|------|------|-----|-----|--------|-------------|
| DN015 (1/2")   | 16   | 15   | 56  | 43  | PN40   | 0,11        |
| DN020 (3/4")   | 19   | 19   | 69  | 53  | PN40   | 0,20        |
| DN025 (1")     | 22   | 25   | 76  | 63  | PN40   | 0,27        |
| DN032 (1 1/4") | 28   | 32   | 87  | 75  | PN40   | 0,44        |
| DN040 (1 1/2") | 31,5 | 38   | 101 | 80  | PN40   | 0,64        |
| DN050 (2")     | 40   | 47   | 114 | 95  | PN40   | 0,96        |
| DN065 (2 1/2") | 46   | 63   | 136 | 115 | PN40   | 1,44        |
| DN080 (3")     | 50   | 77   | 154 | 131 | PN40   | 2,08        |
| DN100 (4")     | 60   | 97,5 | 176 | 150 | PN40   | 3,31        |

| Item 1                         | Item 2                         | Item 3            |
|--------------------------------|--------------------------------|-------------------|
| Materiaal Huis                 | Materiaal Klepblad             | Materiaal Zitting |
| Roestvrijstaal : 1.4408 (CF8M) | Roestvrijstaal : 1.4408 (CF8M) | METAAL            |