

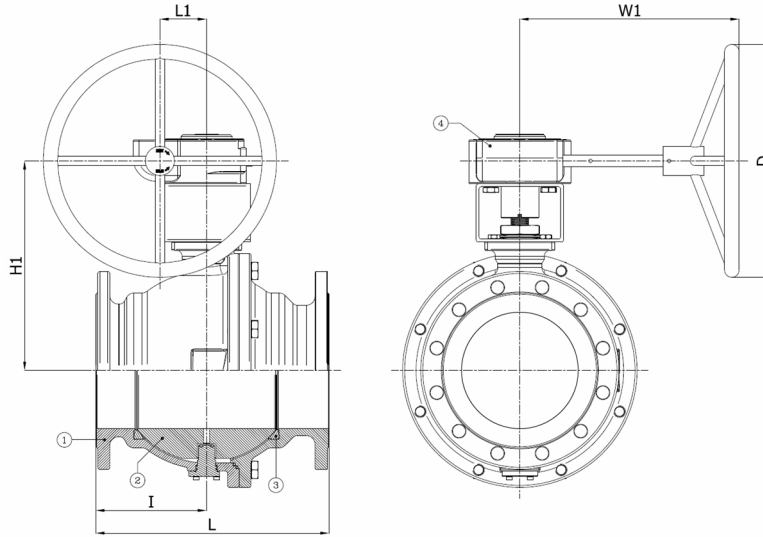
Technical Product Sheet

BV4-4466T-A150-TR - Gearbox

Ball valve, full bore, trunnion mounted, split body, flanged ANSI 150lbs, with Rotork gearbox
Face to Face Standard: ANSI B16.10



| Item Number | Belven Ref. |
|---------------|-----------------------------------|
| 047A57F5250TR | BV4-4466T-A150-TR-DN250 - GEARBOX |
| 047A57F5300TR | BV4-4466T-A150-TR-DN300 - GEARBOX |



| DN/Size | L | H1 | I | L1 | W1 | D | Press.Cl. | Weight(kg) |
|-------------|-----|-----|-------|-------|-----|-----|-----------|------------|
| DN250 (10") | 533 | 434 | 301,8 | 86 | 305 | 700 | A150 | 0.00 |
| DN300 (12") | 610 | 471 | 353,8 | 104,5 | 346 | 700 | A150 | 0.00 |

| Item 1 | Item 2 | Item 3 | Item 4 |
|-------------------------|--|---------------|-------------------|
| Body Material | Ball Material | Seat Material | Actuator Material |
| Carbon steel : A216 WCB | Stainless steel : A182-F304 / A351-CF8 | PTFE | Cast Iron |

Belven N.V.

Blokhuisstraat 24 | 2800 Mechelen | Belgium
Tel. 015 29 40 70 | Fax. 015 20 14 13 | info@belven.com | www.belven.com

We keep the right to change the mentioned dimensions, weights, values and materials at any time without prior or direct notice.