

Technical Product Sheet



BV4-6666R-A300 - Double Acting

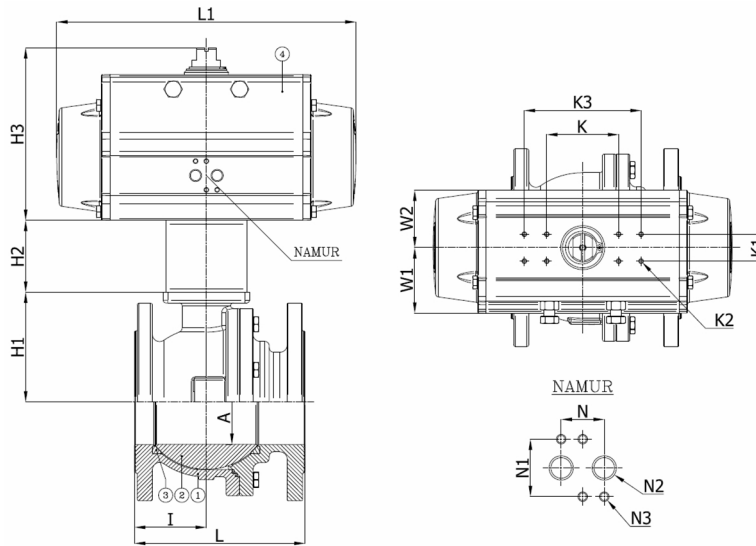
Ball valve, full bore, split body, flanged ANSI 300lbs, with double acting actuator

Face to Face Standard: ANSI B16.10

The actuator is selected for 25°C water with a pressure drop of 16 bar with 6 bar supply air pressure and minimum 1 cycle per week



Item Number	Belven Ref.
048A77DA1015	BV4-6666R-A300-DN015 - DA052
048A77DA1020	BV4-6666R-A300-DN020 - DA052
048A77DA1025	BV4-6666R-A300-DN025 - DA063
048A77DA1040	BV4-6666R-A300-DN040 - DA075
048A77DA1050	BV4-6666R-A300-DN050 - DA075
048A77DA1080	BV4-6666R-A300-DN080 - DA100
048A77DA1100	BV4-6666R-A300-DN100 - DA100
048A77DA1150	BV4-6666R-A300-DN150 - DA125



DN/Size	L	H1	H2	H3	I	L1	W1	W2	K	K3	K1	K2	N	N1	N2	N3	Press.Cl.	Weight(kg)
DN015 (1/2")	140	33	50	101,5	61,5	141	41	30	80		30	M5	24	32	1/8"	M5	A300	4.00
DN020 (3/4")	152	37	50	101,5	61	141	41	30	80		30	M5	24	32	1/8"	M5	A300	5.40
DN025 (1")	165	45	60	113	70,5	164	45	35,5	80		30	M5	24	32	1/8"	M5	A300	7.60
DN040 (1 1/2")	190	77	60	131	78,5	210	52,5	42	80		30	M5	24	32	1/8"	M5	A300	13.60
DN050 (2")	216	83,5	60	131	86	210	52,5	42	80		30	M5	24	32	1/8"	M5	A300	15.20
DN080 (3")	283	108	80	157,8	81	275	68	55	80		30	M5	24	32	1/4"	M5	A300	31.50
DN100 (4")	305	122	80	157,8	88,5	275	68	55	80	130	30	M5	24	32	1/4"	M5	A300	44.60
DN150 (6")	403	177	100	204,4	172	372	80	68	80	130	30	M5	24	32	1/4"	M5	A300	105.80

Item 1	Item 2	Item 3	Item 4
Body Material	Ball Material	Seat Material	Actuator Material
Stainless steel : A351-CF8M	Stainless steel : A182-F316 / A351-CF8M	RPTFE	Extruded aluminium

Belven N.V.

Blokhuisstraat 24 | 2800 Mechelen | Belgium

Tel. 015 29 40 70 | Fax. 015 20 14 13 | info@belven.com | www.belven.com

We keep the right to change the mentioned dimensions, weights, values and materials at any time without prior or direct notice.