

Technical Product Sheet



BV4S-4766T-PN10/PN16 - Electric 110/240V AC

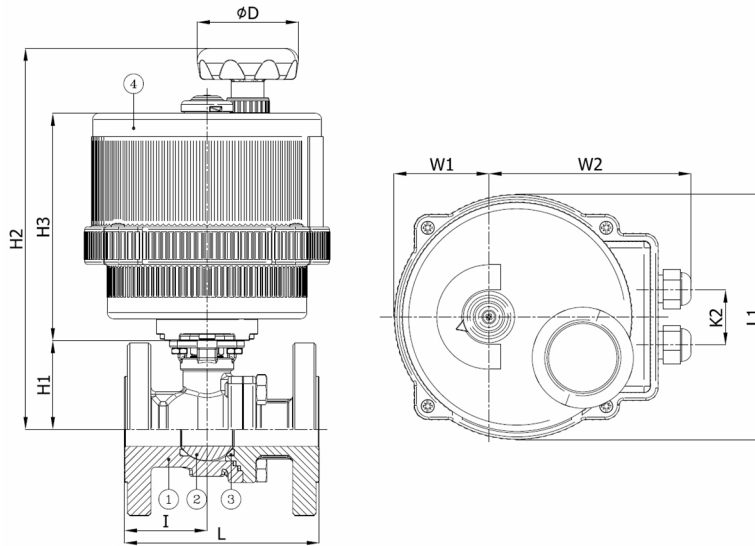
Ball valve, full bore, split body, flanged PN10/PN16, with electric actuator

Face to Face Standard: EN 558-1 series 27

The actuator is selected for 20°C water with a pressure drop of 6 bar and minimum 1 cycle per week - 110/240V AC



Item Number	Belven Ref.
04S3D07EL065	BV4S-4766T-PN16-DN065 - VB110 110/240VAC
04S3D07EL080	BV4S-4766T-PN16-DN080 - VB110 110/240VAC
04S3D07EL100	BV4S-4766T-PN16-DN100 - VB190 110/240VAC



DN/Size	L	H1	H2	H3	H4	I	L1	W1	W2	D	K2	Press.Cl.	Weight(kg)
DN065 (2 1/2")	170	111	343,1	178	54,1	63	211	84	153	110	40	PN16	18.10
DN080 (3")	180	120	352,1	178	54,1	75,5	211	84	153	110	40	PN16	22.10
DN100 (4")	190	134,5	366,6	178	54,1	80	211	84	153	110	40	PN16	28.30

Item 1	Item 2	Item 3	Item 4
Body Material	Ball Material	Seat Material	Actuator Material
Low-temperature steel : 1.1156 (LCB)	Stainless steel : A182-F304/A351-CF8	PTFE	Self-extinguishing polymer

Belven N.V.

Blokhuisstraat 24 | 2800 Mechelen | Belgium

Tel. 015 29 40 70 | Fax. 015 20 14 13 | info@belven.com | www.belven.com

We keep the right to change the mentioned dimensions, weights, values and materials at any time without prior or direct notice.