

Technical Product Sheet



BV4-6666T-A150-TR - Single Acting (AFC)

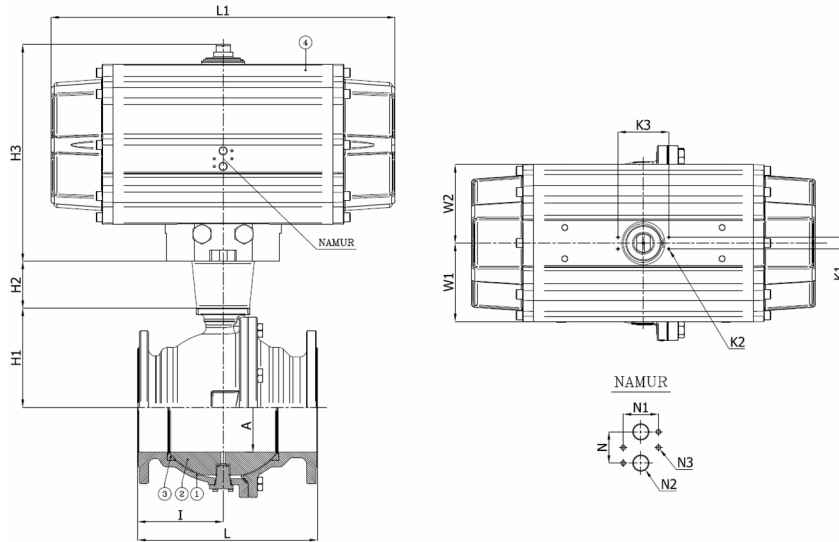
Ball valve, full bore, trunnion mounted, split body, flanged ANSI 150lbs, with spring return actuator AFC

Face to Face Standard: ANSI B16.10

The actuator is selected for 25°C water with a pressure drop of 16 bar with 6 bar supply air pressure and minimum 1 cycle per week, at air pressure failure the springs will put the valve in closed position



Item Number	Belven Ref.
047A77SA1250TR	BV4-6666T-A150-TR-DN250 - SR330
047A77SA1300TR	BV4-6666T-A150-TR-DN300 - SR330



DN/Size	L	H1	H2	H3	I	L1	W1	W2	K3	K1	K2	N	N1	N2	N3	Press.Cl.	Weight(kg)
DN250 (10")	533	272	120	555	301,8	881	201	201	130	30	M5	40	45	1/2"	M6	A150	412.00
DN300 (12")	610	303	120	555	353,8	881	201	201	130	30	M5	40	45	1/2"	M6	A150	471.00

Item 1	Item 2	Item 3	Item 4
Body Material	Ball Material	Seat Material	Actuator Material
Stainless steel : A351-CF8M	Stainless steel : A182-F316 / A351-CF8M	PTFE	Extruded aluminium

Belven N.V.

Blokhuisstraat 24 | 2800 Mechelen | Belgium

Tel. 015 29 40 70 | Fax. 015 20 14 13 | info@belven.com | www.belven.com

We keep the right to change the mentioned dimensions, weights, values and materials at any time without prior or direct notice.