

Technical Product Sheet



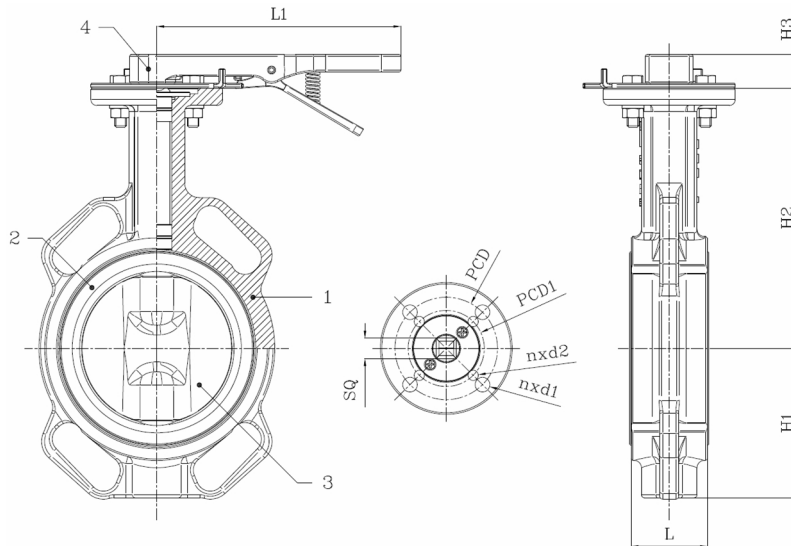
BV10-2366E-PN10/PN16/A150 - Short Lever

Wafer type butterfly valve, mounting between flanges PN6/PN10/PN16/A150, with short lever

Face to Face Standard: EN 558-1 Table 1 series 20



Item Number	Belven Ref.
101026E2032	BV10-2366E-PN16-DN032 - SHORT LEVER
101026E2040	BV10-2366E-PN16-DN040 - SHORT LEVER
101026E2050	BV10-2366E-PN16-DN050 - SHORT LEVER
101026E2065	BV10-2366E-PN16-DN065 - SHORT LEVER
101026E2080	BV10-2366E-PN16-DN080 - SHORT LEVER
101026E2100	BV10-2366E-PN16-DN100 - SHORT LEVER
101026E2125	BV10-2366E-PN16-DN125 - SHORT LEVER
101026E2150	BV10-2366E-PN16-DN150 - SHORT LEVER



DN/Size	L	H1	H2	H3	L1	SQ	ISO	PCD	n x d1	PCD1	n x d2	Press.Cl.	Weight(kg)
DN032 (1 1/4")	33	57	110	22	165							PN16	1.70
DN040 (1 1/2")	33	68	111	22	165							PN16	1.90
DN050 (2")	43	71,4	142,7	22	165	11	F05/F07	70	4 x d12	50	4 x d7	PN16	3.00
DN065 (2 1/2")	46	77,8	155,4	22	165	11	F05/F07	70	4 x d12	50	4 x d7	PN16	3.70
DN080 (3")	46	89	161,8	22	165	11	F05/F07	70	4 x d14	50	4 x d7	PN16	4.10
DN100 (4")	52	102	178	22	165	14	F07	70	4 x d10			PN16	5.20
DN125 (5")	56	123	190,5	22	165	14	F07	70	4 x d10			PN16	7.10
DN150 (6")	56	138	205,2	22	165	14	F07	70	4 x d10			PN16	8.20

Item 1	Item 2	Item 3	Item 4
Body Material	Seat Material	Disc Material	Actuator Material
Cast iron : GG25 + Epoxy coating	EPDM	Stainless steel : CF8M	malleable iron

Belven N.V.

Blokhuisstraat 24 | 2800 Mechelen | Belgium
 Tel. 015 29 40 70 | Fax. 015 20 14 13 | info@belven.com | www.belven.com

We keep the right to change the mentioned dimensions, weights, values and materials at any time without prior or direct notice.