

Technical Product Sheet

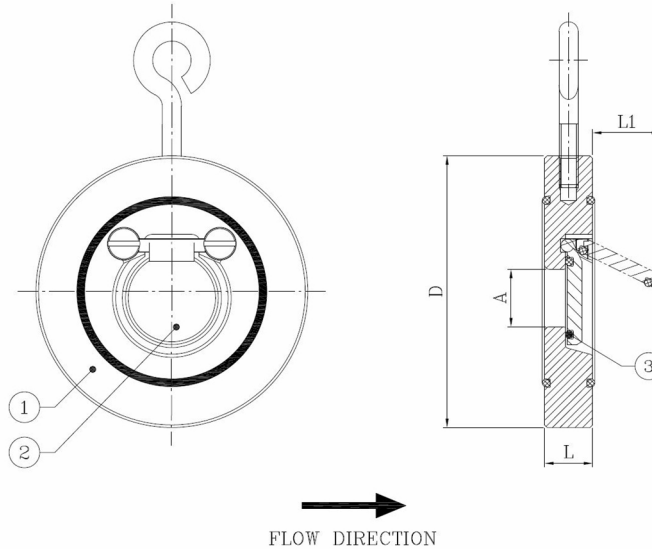
BV38-4545B-PN10

Wafer type swing check valve, mounting between flanges PN10

Face to Face Standard: Factory standard



Item Number	Belven Ref.
382055B0250	BV38-4545B-PN10-DN250
382055B0300	BV38-4545B-PN10-DN300
382055B0350	BV38-4545B-PN10-DN350
382055B0400	BV38-4545B-PN10-DN400
382055B0450	BV38-4545B-PN10-DN450
382055B0500	BV38-4545B-PN10-DN500
382055B0600	BV38-4545B-PN10-DN600



DN/Size	L	D	A	L1	Press.Cl.	Weight(kg)
DN250 (10")	26	330	192	190	PN10	12.60
DN300 (12")	32	380	227	220	PN10	20.50
DN350 (14")	38	440	266	250	PN10	33.50
DN400 (16")	44	491	310	290	PN10	52.00
DN450 (18")	52	541	350	340	PN10	71.00
DN500 (20")	58	596	400	390	PN10	94.00
DN600 (24")	62	698	486	470	PN10	128.00

Item 1	Item 2	Item 3
Body Material	Disc Material	Seat Material
Carbon steel : 1.0619 (WCB) zinc plated	Carbon steel : 1.0619 (WCB) zinc plated	NBR

Belven N.V.

Blokhuisstraat 24 | 2800 Mechelen | Belgium

Tel. 015 29 40 70 | Fax. 015 20 14 13 | info@belven.com | www.belven.com

We keep the right to change the mentioned dimensions, weights, values and materials at any time without prior or direct notice.