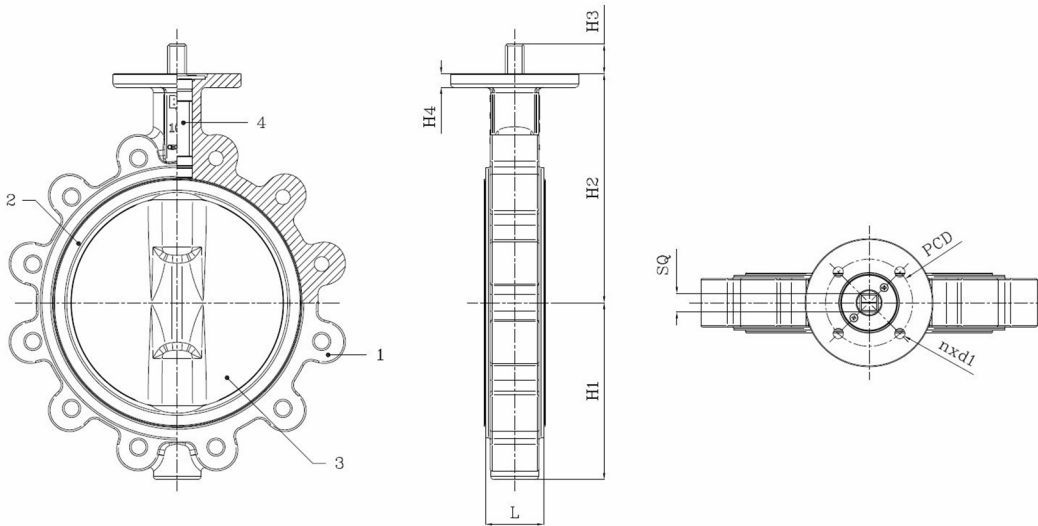


## BV12-2466V-PN10 - Vrije As

Lug type vlinderklep, te monteren tussen flenzen PN10, vrije as  
Norm Bouwlengte: EN 558-1 Tabel 1 serie 20



| Artikelnummer | Belven Ref.                        |
|---------------|------------------------------------|
| 121026V0200   | BV12-2466V-PN10-DN200 - BARE SHAFT |
| 121026V0250   | BV12-2466V-PN10-DN250 - BARE SHAFT |
| 121026V0300   | BV12-2466V-PN10-DN300 - BARE SHAFT |



| DN/Inch     | L  | H1    | H2    | H3   | H4 | SQ | ISO | PCD | n x d1  | Drukl. | Gewicht(kg) |
|-------------|----|-------|-------|------|----|----|-----|-----|---------|--------|-------------|
| DN200 (8")  | 60 | 168   | 237   | 34,5 | 16 | 17 | F10 | 102 | 4 x d12 | PN10   | 16,10       |
| DN250 (10") | 68 | 207   | 268,3 | 34,5 | 16 | 22 | F10 | 102 | 4 x d12 | PN10   | 29,70       |
| DN300 (12") | 78 | 243,5 | 308,5 | 34,5 | 16 | 27 | F12 | 125 | 4 x d14 | PN10   | 44,70       |

| Item 1                                     | Item 2                   | Item 3                    | Item 4                     |
|--|--------------------------|---------------------------|----------------------------|
| <b>Materiaal Huis</b>                      | <b>Materiaal Zitting</b> | <b>Materiaal Klepblad</b> | <b>Materiaal Bediening</b> |
| Nodulair gietijzer : GGG40 + Epoxy coating | VITON                    | Roestvrijstaal : CF8M     | RVS Spindel AISI 416       |